

# A2A

## FLEXFLO® Peristaltic Metering Pump



### Features

- > Self priming chemical metering pump delivers smooth chemical feed
- > Tube Failure Detection (TFD) senses tube rupture
- > Two CNC machined Nylon squeeze rollers and two alignment rollers for optimum squeeze, unparalleled accuracy, and tube life.

Video link: 



**NEMA 4X**

### Highlights

**Flow range**

.06 – 15.9 GPH  
.21 – 60.2 LPH

**Pressures**

50 PSI  
(3.4 bar)

**Turndown ratio**

100 : 1

**Exclusive**

Tube Failure Detection (TFD)

**Motor**

Brushed  
DC

**Warranty**

2 Years

### Control Methods

Control Methods	Manual Control	Remote Start/Stop	Relay Output	FVS
A2A	•	•	•	•



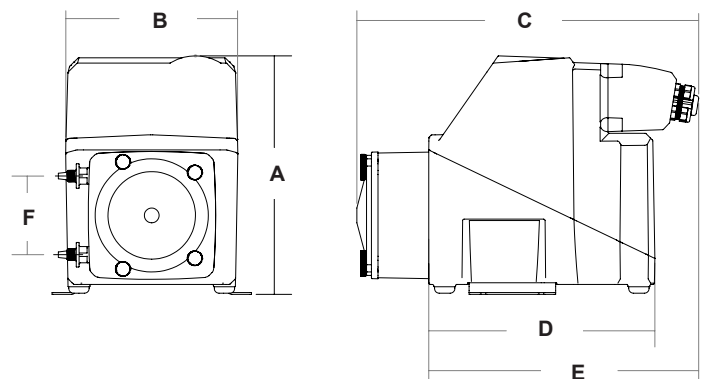
Max. working pressure:	50 psig (3.4 bar)
Max. fluid temperature:	130° F (54° C)
Max. Ambient temperature:	14 to 110° F/ -10 to 43° C
Maximum viscosity:	12,000 Centipoise
Maximum suction lift:	30 ft. Water at sea level (14.7 atm psi)
Operating Voltage:	115VAC/60Hz, 1ph (1.5 Amp Maximum)
	230VAC/60Hz, 1ph (0.7 Amp Maximum)
	220VAC/50Hz, 1ph (1.0 Amp Maximum)
	240VAC/50Hz, 1ph (1.0 Amp Maximum)
Power Cord Options:	115V60Hz = NEMA 5/15 (USA)
	230V60Hz = NEMA 6/15 (USA)
	220V50Hz = CEE 7/VII (EU)
	240V50Hz = AS 3112 (Australia/New Zealand)
Motor:	Brushed DC, 1/8 H.P.
Duty cycle:	Continuous
Motor speed adjustment range 100:1	1% – 100% motor speed (1.3 to 130 RPM)
Motor speed adjustment resolution:	0.1% increments
Display:	Backlit LCD, UV resistant
Keypad:	Eight button positive action tactile switch keypad
Enclosure:	NEMA 4X (IP66), Polyester powder coated aluminum.
Maximum Overall Dimensions:	7-1/2" W x 10-1/4" H x 14" D (19 W x 26 H x 35.6 D cm)
Product weight:	28.4lb. (12.9 Kg)
Approximate shipping wt:	35 lb. (15.9 Kg)
RoHS Compliant:	Yes
Standards:	NSF/ANSI 50, cETLus, CE

## Output Specifications

GPH	Feed Rate		Max Pressure PSI (bar)	Max Temperature °F (°C)	Tube Material / Size
	LPH	mL/min			
0.055 – 5.50	0.208 – 20.8	3.47 – 347	50 (3.4)	185 (85)	NEE
0.159 – 15.9	0.602 – 60.2	10.03 – 1003	40 (2.8)	185 (85)	NGG

## Dimensions

Dim	Inch	cm	Dim	Inch	cm
A	10-1/4"	26	D	9-1/2"	24.1
B	7-1/2"	19	E	11"	27.9
C	14"	35.6	F	3-3/8"	8.6



# Materials of Construction

## Non-wetted Components:

**Enclosure:** 413 Aluminum (Polyester powder coated)

**Pump Head:** Valox® (PBT) thermoplastic

## Pump Head Cover:

Polycarbonate

Permanently lubricated sealed motor shaft support ball bearing.

**Cover Screws:** Stainless steel

## Roller Assembly:

Rotor: Valox® (PBT)

Rollers: Nylon

Roller Bearings: SS Ball Bearings

**Motor Shaft:** Chrome plated steel

**TFD System Sensor Pins:** Hastelloy C-276

**Power Cord:** 3 Conductor, SJTW-A water-resistant

**Tube Installation Tool:** GF Nylon

**Mounting Brackets and Hardware:** 316 Stainless steel screws

## Wetted Components:

### Pump Head Assembly:

Tubing: Flex-A-Prene®

Adapter Fittings: PVDF

**NOTE:** This is model specific, and two are provided.

### Injection/Back-Flow Check Valve:

Body & Insert: PVDF

Check Ball: Ceramic

Spring: Hastelloy C-276

Ball Seat O-Ring: FKM

Static Seal O-Ring: FKM

### Ancillary Items Provided:

Suction Tubing: 3/8" OD x 1/4" ID x 10' Clear PVC

Discharge Tubing: 3/8" OD x 1/4" ID x 10' Polyethylene (LLDPE)

Suction Strainer: PVDF

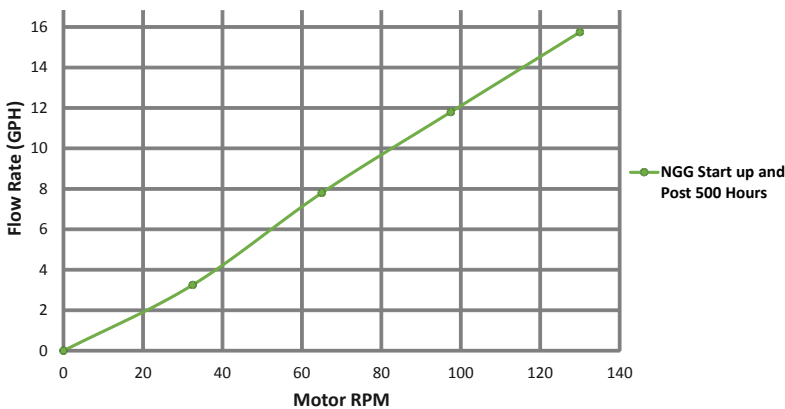
### Suction Strainer

Body: PVDF

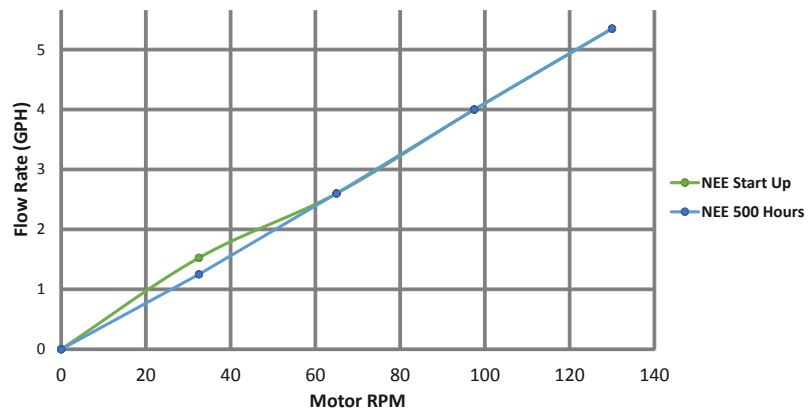
# Performance

## FLEXFLO® A2A Metering Pump

**A2A NGG  
Output at various RPM**



**A2A NEE  
Output at various RPM**

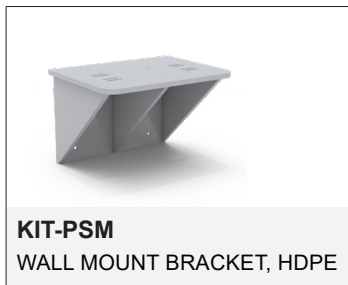


# Model Number Matrix

## FLEXFLO® Model Number

<b>A2A</b>	FLEXFLO® Peristaltic Metering Pump					
<b>Power Cord</b>						
<b>4</b>	115V 50/60Hz, power cord NEMA 5/15 plug (US)					
<b>5</b>	230V 50/60Hz, power cord NEMA 6/15 plug (US)					
<b>6</b>	220V 50/60Hz, power cord CEE 7/11 plug (EU)					
<b>8</b>	240V 50/60Hz, power cord AS 3112 plug (Australia/New Zealand)					
<b>9</b>	230V 50/60Hz, power cord BS 1363/A plug (UK)					
<b>X</b>	No Power Cord					
<b>Pump Tube Material, Pump Tube Size, Operating Flow Range</b>						
<b>NEE</b>	Flex-A-Prene® .093 ID   1.32–132 GPD   50 PSI					
<b>NGG</b>	Flex-A-Prene® .187 ID   3.84–381.6 GPD   40 PSI					
<b>A2A</b>	<b>2</b>	<b>4</b>	<b>-</b>	<b>S</b>	<b>NEE</b>	Sample Model Number

## Accessories



Visit Accessory Pages for More Options