

GEMCO VALVE

# TLD Lightweight Valve

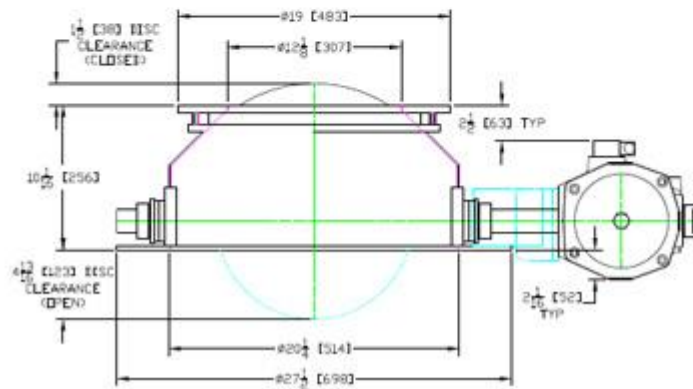
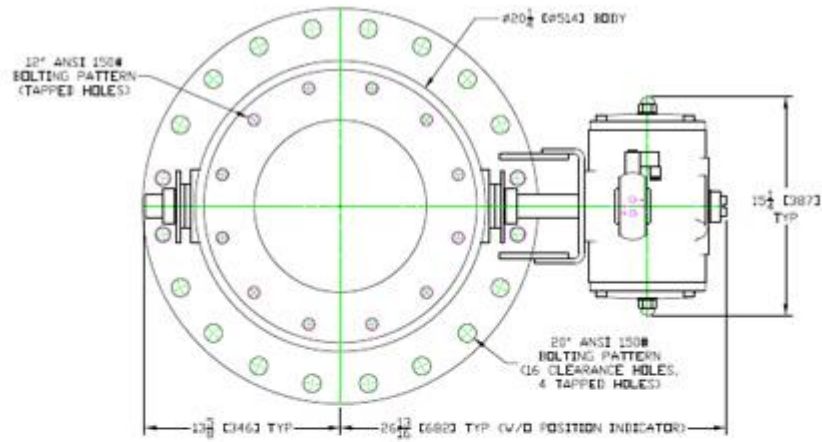
The TLD Lightweight Valve is designed to reduce weight and size without compromising performance.

## Applications:

- Tumble mixer and dryers
- Intermediate Bulk Containers (IBC).
- Mobile vessels and tanks.

- TLD LIGHTWEIGHT VALVE *by* GEMCO VALVE
- The versatile and lightweight Type TLD Valve is typically used for processing light density materials such as foods and pharmaceuticals and on rotating and mobile equipment where weight is a concern. It is available in a range of cast and weldable alloys including 316L stainless steel and Hastelloy. The sanitary version of the TLD Valve has full interior and exterior polishes. ANSI and DIN drilling patterns are offered in addition to the Gemco standard pattern. The valve is offered for dust tight, full vacuum and low-pressure (1 bar) services.





• VALVE SPECIFICATIONS

SIZE	
03 inches / 75 mm	
04 inches / 100 mm	
06 inches / 150 mm	
08 inches / 200 mm	
10 inches / 250 mm	
12 inches / 300 mm	
14 inches / 350 mm	
16 inches / 400 mm	
20 inches / 500 mm	